

Standard Partitions (Internal Walls)

At Libra we have a selection of single frame standard partitions to meet your building requirements. They are capable of achieving up to 120 minutes fire resistance and exceeding the acoustic requirements of ADE*

*ADE – R_w 40 dB for internal partitions

1. Install a single row of Libra Standard Tracks to the floor and soffit. Fix with suitable fasteners at maximum 600mm centres. Where deflection heads are required, install Libra Deep Tracks to the soffit with plasterboard strips and an intumescent mastic seal.

Please note; minimum stud engagement to be 20mm.

2. Install Libra C Studs at abutments. Fix to the structure with suitable fasteners at maximum 600mm centres.

3. Seal the entire perimeter of the frame on both sides with beads of acoustic / intumescent mastic.

4. Form door openings.

5. Friction fit Libra C Studs at maximum 600mm centres (reduce to 400mm in tiled areas). Do not screw or crimp studs to deflection head channels.

6. Form service openings and frame out as required.

7. Install cavity insulation where required, fixed at the head as per manufacturers recommendations.

8. Install plasterboard linings as per specification with suitable drywall screws at maximum 300mm centres. Boards to be fixed to their entire perimeter.

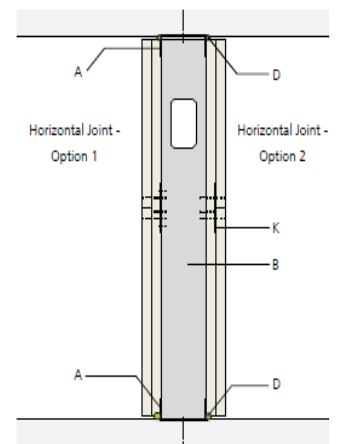
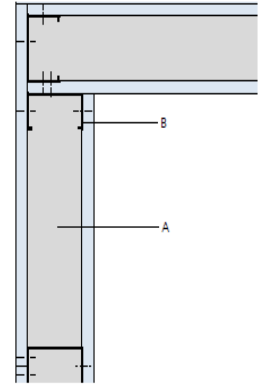
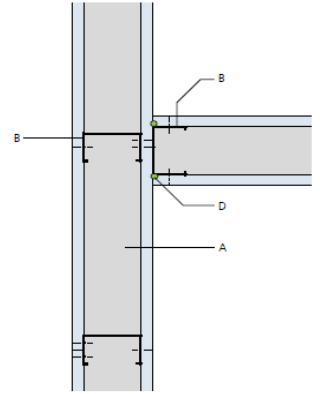
Notes:

Stagger all board joints by minimum 600mm. For Acoustic Absorbing liners follow the manufacturers' recommendations for pattern alignment. Where ceilings are fire-rated, ensure all service penetrations and any openings are suitably sealed to prevent hot gasses from entering the ceiling cavity. All areas of the plasterboard linings to be minimum fire taped to maintain fire and acoustic performances. Where access panels are required, ensure they are capable of maintaining the ceilings fire and acoustic performances.

Libra have a range of Systems available for all different types of application, including:

- Twin Wall
- Single Layer
- Double Layer
- Shaftwall
- Staggered Stud
- Partitions with Resilient Bar
- Independent Wall Lining
- Braced Wall Lining
- Wall Lining System

Fire test and acoustic test data is available on application.



- | | |
|---|--|
| A | Libra Standard Track |
| B | Libra C or I Studs |
| D | Mastic Seals |
| K | Libra Flat Plate to provide uppermost board fixing |

For further information please contact technical@librasystemsuk.com