

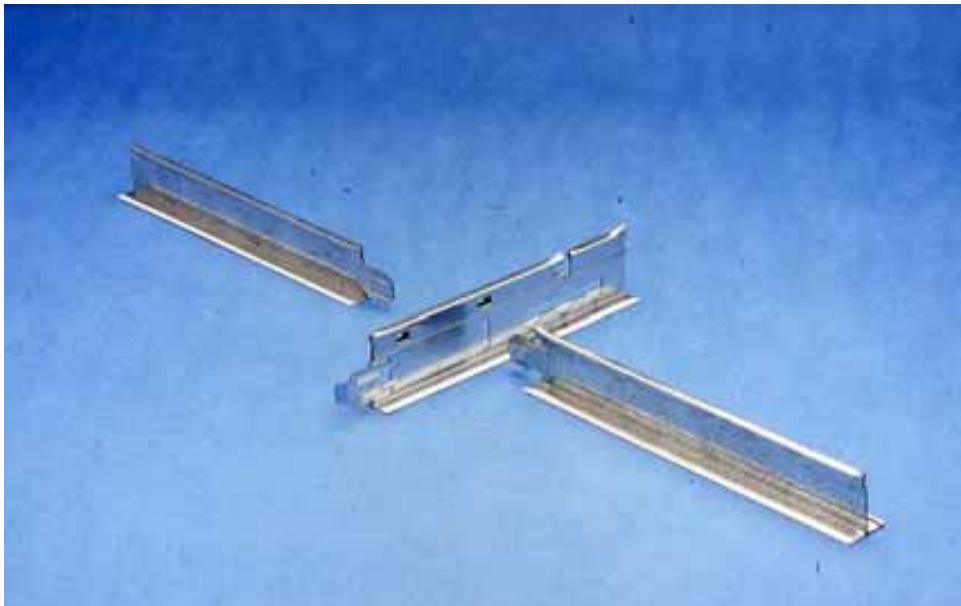


Libra Systems

manufacturers of cold rolled sections

Guide to Installation

15mm Rigidlock Suspended Ceiling System



The major features that designers and contractors insist are essential for a successful suspended ceiling system are quality materials, reliability, flexibility and ease of fitting.

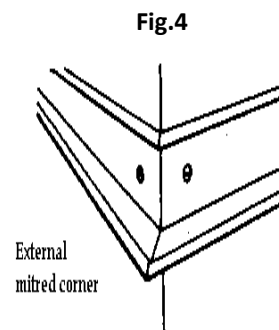
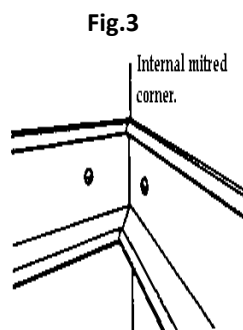
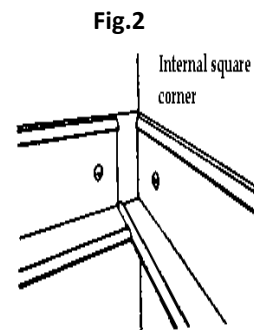
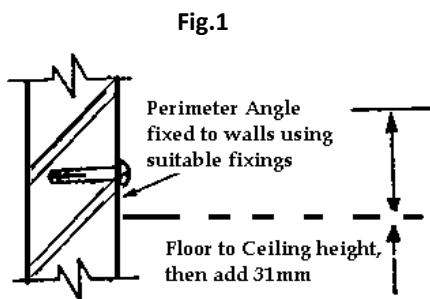
For further information please contact technical@librasystemsuk.com

Unit E, Halesfield 10, Telford, Shropshire TF7 4QP
T: 01952 581150 F: 01952 585147 E: sales@librasystemsuk.com
www.librasystemsuk.com

INSTALLING PERIMETER ANGLE ON WALLS

Part No. RA31.19

- Establish the finished floor to ceiling height, add the height of the perimeter angle, ie; 31mm and mark on 3 walls.
- Mark a connecting line on the fourth wall using chalk line.
- Fix the perimeter angle to the walls using suitable fixings positioned 300mm apart. (See Fig 1)
- Construct internal and external corners to ensure that ceiling tiles lie flat. (See Fig 1, 2, 3)
- Note! Perimeter angle must be level all around the room.
(If necessary use a spirit level)



STEP 2

SUSPENSION LAYOUT

- Layout a grid 1200mm x 1200mm using a chalk line on the structural soffit, starting at the centre of the room to ensure even borders all around.
- Mark positions where the grid lines intersect, these become the positions of the top fixings. (The type of top fixing will depend on the construction of the soffit, for details contact fixing manufacture).
- Note! Last fixing must not be more than 450mm from walls.

INSTALLING "HANGER WIRES"

Part No. HW14/5

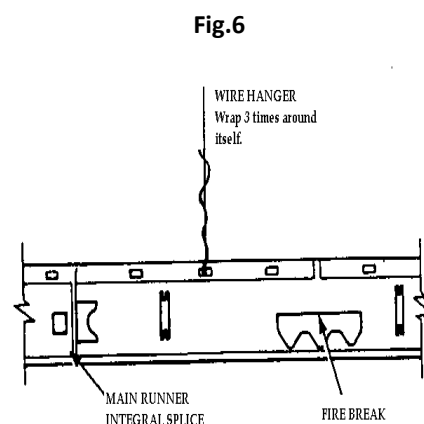
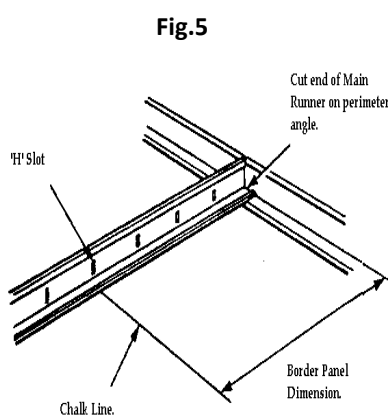
- Measure depth from soffit to bottom of perimeter angle and add 200mm. Cut hanger wires to this dimension.
- Attach hanger wire to top fixing and wrap securely around itself 3 times.
- Fix a chalk line to the top edge of the perimeter angle and stretch, parallel to the intended direction of the Main runner, across the room to the top edge of the perimeter on the wall opposite ensure the chalk line is touching a row of hangers
- Where the chalk line touches the hanger wire, bend the wire 90° Degrees.

STEP 4

INSTALLING "LIBRA MAIN RUNNERS"

Part No. SMT.30

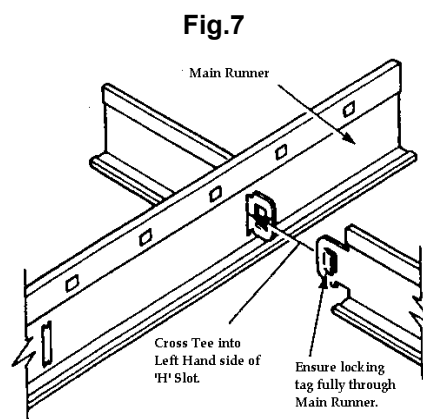
- Fix a chalk line as in Step 3, but this time position the line at the bottom of the perimeter angle, at 90° degrees to the intended direction of the Main Runner, a distance equal to the appropriate Border Tile dimension from the wall. (See Fig.5)
- Cut end of first Main Runner so that Cross Tee "H" slot aligns with chalk line and the cut end of the Main Runner sits on the perimeter angle. (See Fig.5)
- Pass ends of hanger wire through the appropriate holes in bulb of Main Runner ensuring that each wire hangs vertically and is wrapped securely around itself 3 times.
- Lock into place next Main Runner and continue as previous ensuring each Main Runner is level, that Fire Splices are NOT adjacent to each other and a hanger wire is close to each Main Runner Joint/Fire splice.(See Fig.6)



INSTALLING "LIBRA 1200MM CROSS TEE"

Part No.'s SCT.12

- Insert the end of the first full length 1200mm Cross Tee into the LEFT HAND side of the "H" slot in the Main Runner, in line with the chalk line set up at Step 4. Ensure the locking tag is fully through Main Runner. (See Fig.7).
- Insert the second full length 1200mm Cross Tee into the same "H" slot from the opposite side of the Main Runner. Again, insert into the LEFT HAND side of the "H" slot.
- Cut Cross Tees at perimeter to suit Boarder Panel dimension.
- Continue procedure spacing Cross Tees 600mm apart across the Main Runner



STEP 6

INSTALLING "LIBRA 600MM CROSS TEE"

Part No.'s SCT.06

- Insert the end of the first full length 600mm Cross Tee into the LEFT HAND side of the "H" slot in the centre of the previously installed 1200mm Cross Tee, again ensuring the locking tag is fully through the 1200mm Cross Tee.
- Continue construction as in Step 5 until 600mm x 600mm module is complete.
- Remove all chalk guide lines

STEP 7

INSTALLING TILES

- Insert all full tile then measure, cut and fit border tiles, using hold down clips if required. (See Fig.8)

Fig.8

