

Rigidlock

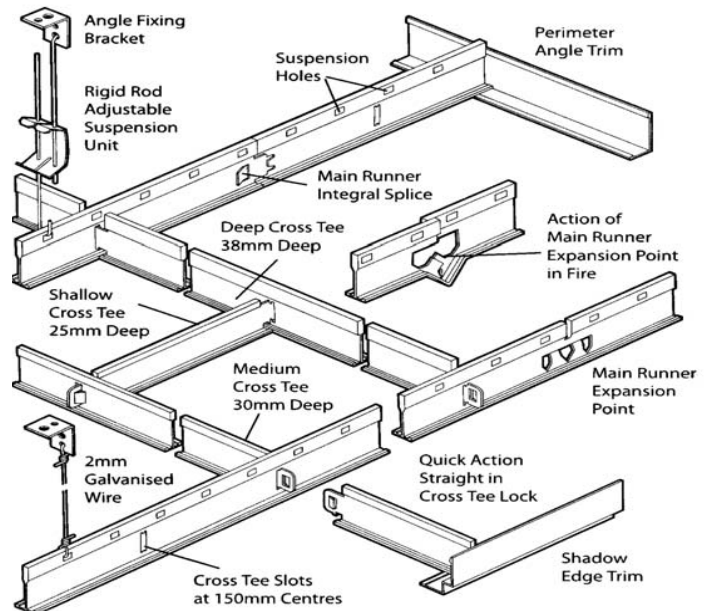
Exposed Grid – 24mm Face



RIGIDLOCK

Exposed Grid - 24mm table

A system of Main Runners and Cross Tees which interlock to provide accurate 1200mm x 600mm + 600mm x 600mm modules. Exposed Face available in White, Colours & Mirror Finishes.



The major features that designers and contractors insist are essential for successful suspended ceiling system are Quality Materials, Reliability, Flexibility and Ease of Fitting.

Rigidlock 24mm metal exposed suspended ceiling grid has a long established track record of satisfying all these requirements. Time and effort are also saved by using the interlocking main runners and cross tees which fit easily together and lock securely in place.

The grid is manufactured using hot-dipped galvanized steel to BS EN 10346 for the main body and capped in either aluminum or steel coated in a polyester finish allowing a variety of colours to be achieved, thus providing designers with the opportunity to create unique features for their clients.

It conforms to EN 13964 Suspended Ceiling Requirements and Test Methods.

It has been tested in accordance with EN13501-2: 2002 Classification of Reaction to Fire Performance and has also been successfully Fire Tested or assessed to BS 476: Pt 23: 1987 and BS 476: Pt 21 Steel Beam, Timber Floor and Mezzanine which includes the use of Mineral Fibre: 60 minutes fire resistance and Mineral Wool: 30 minutes fire resistance.

Rigidlock

Exposed Grid – 24mm Face

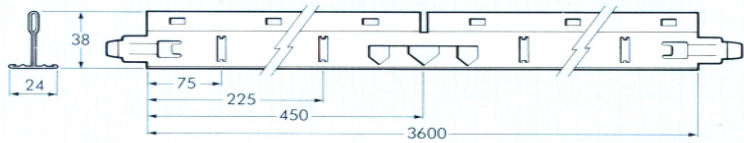


Component Details

All dimensions in mm.

Main Runner

Ref. RM1 36 3600mm long. Cross Tee slots 75mm from ends and 150mm along length.
Also available at 50mm from ends and 100mm along length.



Cross Tees RBC = Butt End RJC = Joggled End

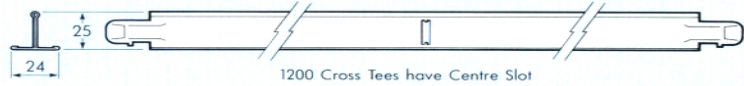
Deep Cross Tee RBC 11 - 1200 & 600 RJC - 1200 & 600



Standard Cross Tee RBC 10 - 1200 & 600 RJC 10 - 1200 & 600

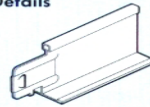


Shallow Cross Tee RBC 9 - 1200 & 600 RJC 9 - 1200 & 600

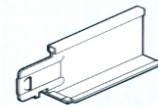


Cross Tee End Details

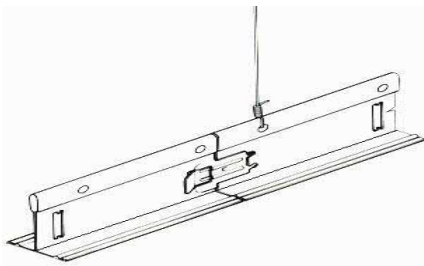
RBC
Butt end
meets main
tee flange



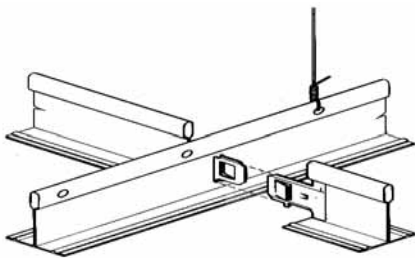
RJC
Joggle end
rests on main
tee flange



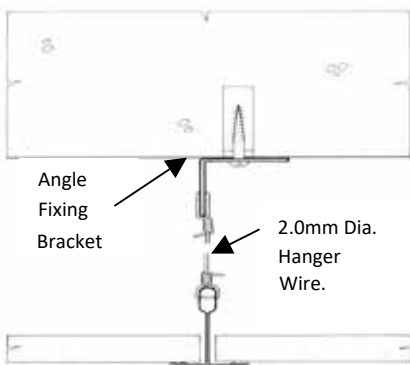
Rigidlock Main Tee Assembly



Rigidlock Cross Tee assembly into main tee.



Typical Suspension Detail



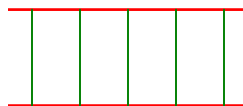
Installation:

Rigidlock should be installed with Main Tees at either

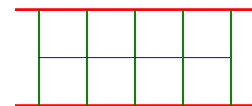
1200mm or 600mm centres as shown below with suspension hangers at 1200mm centres

Grid Layouts:

Main Tees at 1200mm Centres

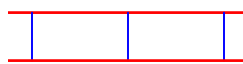


Regular 1200mm x 600mm

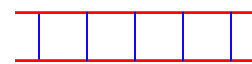


Regular 600mm x 600mm

Main Tees at 600mm Centres.



Regular 1200mm x 600mm



Regular 600mm x 600mm

For further installation details go to the [Libra Installation Guide](#) on this website.